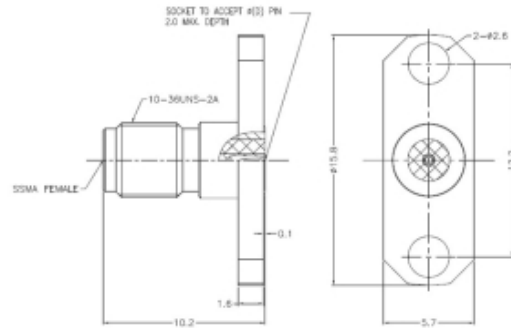


**Product Name // SSMA Straight Jack 2 Hole Flange RF Connector**
 [View Product Page](#)

\* Representative product image only



## // Product Description:

- ⊞ SSMA Straight Jack 2 Hole Flange RF Connector
- ⊞ Maximum Voltage: 335V
- ⊞ Temperature range: -65°C to +165°C
- ⊞ Frequency range: 0GHz - 40GHz
- ⊞ VSWR: <1.30
- ⊞ Dielectric withstanding Voltage: >500V
- ⊞ Impedance: 50Ohm
- ⊞ Body Material: Stainless Steel Passivation
- ⊞ Contact Material: Beryllium Copper

## // General Information:

Product Display Title:	SSMA Series Socket 2 Hole Flange
Product Family:	Radio Frequency Connectors
Product Series:	SSMA Series
Body Length:	10.20mm
Body Material:	Stainless Steel Passivation
Centre Contact Retention Force:	>26.7N
Contact Pin Material:	Beryllium Copper
Min Coupling Torque:	0.80Nm
Max Coupling Torque:	1.10Nm
Dielectric Withstanding Voltage:	>500V
Durability:	>500 cycles
Flange Mount Length:	12.70mm
Function:	Female Flange Mount RF Connector
Impedance:	50Ohm
Insulation Resistance:	>5000MOhm
Insulator:	Adapter ASTM D 1710
Max Operating Temperature:	+165°C
Min Operating Temperature:	-65°C
Mount Hole Distance:	8.90mm
Min Operating Frequency:	0GHz
Max Operating Frequency:	40GHz
Socket Diameter:	0.51mm
Thread Size:	10 36UNS 2A
Voltage Max:	335V
Vswr:	<1.30

## // Product PDF Links

 [SSMA Series Product Datasheet](#)

## // Product 3D CAD Model Links

 [RFSSMAA2JCEE3D CAD Model](#)