

Our 600 Series - **Ethernet Buccaneer Connectors** provide a reliable ethernet connection in environments where regular Ethernet connectors would be prone to damage or malfunction. They are designed to **withstand the harshest of environments**, such as **outdoor, industrial, or military applications**. These connectors are built with materials & features that protect against dust, water, vibrations & extreme temperatures. Moreover, our 600 Series offer **100% transversely sealed (IP68)** connectors preventing dust, water or moisture penetration. The 600 series connectors come with **EMI shielded & unshielded versions** and are available in jam nut, flange mount, inline plug, and plug options.



Key Features:

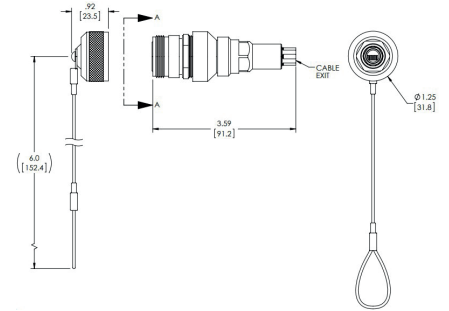
- ⊠ Cat 5e & Cat 6a compliant
- ⊠ Supports 10, 100 & 1,000 Mbps data transmissions
- ⊠ POE, POE+ & POE++
- ⊠ DATA, VOIP & IPTV in Harsh Environments
- ⊠ Durability >500 cycles
- ⊠ Operating temperature -40°C to +100°C
- ⊠ Screw coupling
- ⊠ IP68-rated
- ⊠ EMI Shielded & Unshielded versions
- ⊠ Transversely Sealed IP68 when mated & unmated
- ⊠ Sealing Cap option is available

Transversely Sealed Inline Plug



PXM0608

- IP68 when mated & unmated
- Female RJ45 interface
- Screw coupling
- Mates with Plug with cap & Plug
- Standard RJ45 cable to be sourced or modular connector



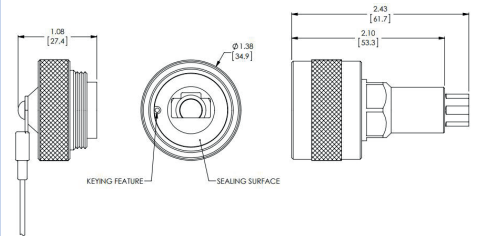
Part No.	Category	Plating	Colour	Cable Entry
PXM0608NSANBK4868	Standard RJ45 cable to be sourced	Anodised	Black	4.82-6.85mm
PXM06086FANBK4868	Category 6a modular connector supplied	Anodised	Black	4.82-6.85mm

Plug with Cap



PXM0600

- IP68 when mated
- Male RJ45 to be installed
- Screw coupling
- Mates with Transversely Sealed Inline Plug, Jam Nut & Flange Mount
- Standard RJ45 cable to be sourced or modular connector



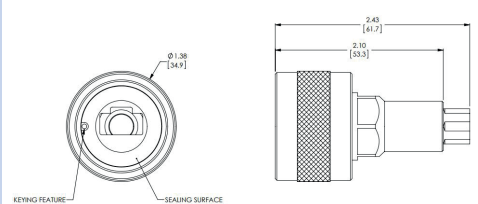
Part No.	Category	Plating	Colour	Cable Entry
PXM0600NSANBK4868	Standard RJ45 cable to be sourced	Anodised	Black	4.82-6.85mm
PXM0600NSANBK6883	Standard RJ45 cable to be sourced	Anodised	Black	6.88-8.38mm
PXM06006MANBK4868	Category 6a modular connector supplied	Electroless Nickel	Black	4.82-6.85mm
PXM06006MENBK4868	Category 6a modular connector supplied	Electroless Nickel	Black	4.82-6.85mm
PXM06006MENBK6883	Category 6a modular connector supplied	Electroless Nickel	Black	6.88-8.38mm

Plug



PXM0609

- IP68 when mated
- Male RJ45 to be installed
- Screw coupling
- Mates with Transversely Sealed Inline Plug, Jam Nut & Flange Mount
- Standard RJ45 cable to be sourced or modular connector



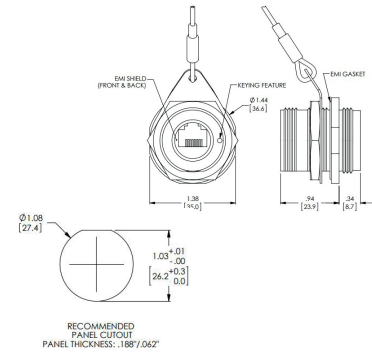
Part No.	Category	Plating	Colour	Cable Entry
PXM0609NSANBK4868	Standard RJ45 cable to be sourced	Anodised	Black	4.82-6.85mm
PXM0609NSANBK6883	Standard RJ45 cable to be sourced	Anodised	Black	6.88-8.38mm

Jam Nut with Cap



- IP68 when mated
- Female RJ45 interface
- Screw coupling
- Mates with Plug with cap & Plug
- Panel thickness: 1.5-5mm

PXM0610



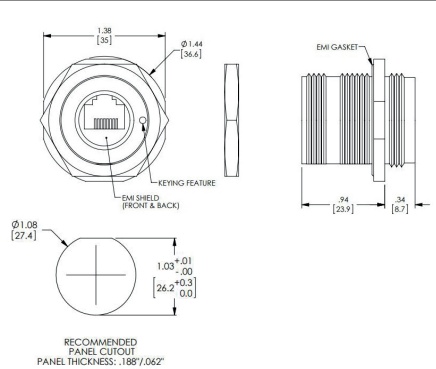
Part No.	Category	Plating	Colour	EMI Protection
PXM06105FANBKUS	Category 5e	Anodised	Black	Unshielded
PXM06106FENBKSH	Category 6a	Electroless Nickel	Black	Shielded

Jam Nut



- IP68 when mated
- Female RJ45 interface
- Screw coupling
- Mates with Plug with cap & Plug
- Panel thickness: 1.5-5mm

PXM0619



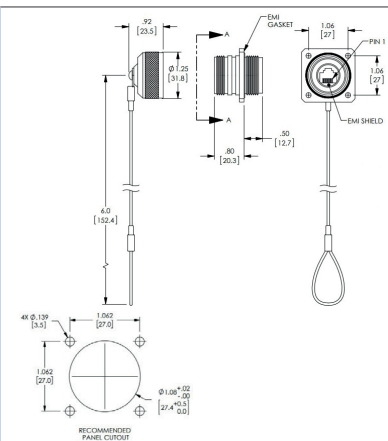
Part No.	Category	Plating	Colour	EMI Protection
PXM06195FANBKUS	Category 5e	Anodised	Black	Unshielded

Transversely Sealed Flange Mount



- IP68 when mated & unmated
- Female RJ45 interface
- Screw coupling
- Mates with Plug with cap & Plug

PXM0628



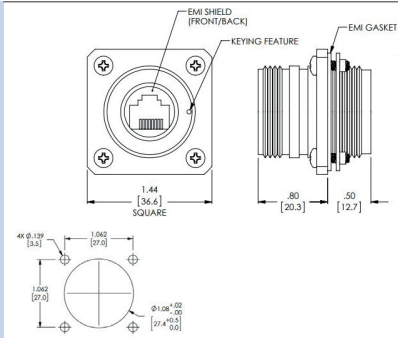
Part No.	Category	Plating	Colour	EMI Protection
PXM06285FANBKUS	Category 5e	Anodised	Black	Unshielded

Flange Mount with Cap & Mounting Hardware



PXM0627

- IP68 when mated
- Female RJ45 interface
- Screw coupling
- Mates with Plug with cap & Plug
- Panel thickness: 1.5-5mm



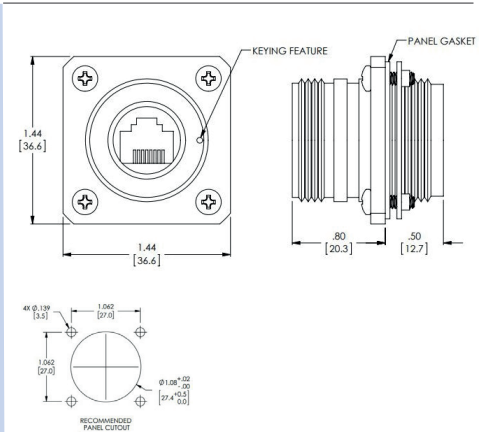
Part No.	Category	Plating	Colour	EMI Protection
PXM06275FANBKUS	Category 5e	Anodised	Black	Unshielded
PXM06276FENBKSH	Category 6a	Electroless Nickel	Black	Shielded
PXM06276FANBKUS	Category 6a	Anodised	Black	Unshielded

Flange Mount with Mounting Hardware



PXM0626

- IP68 when mated
- Female RJ45 interface
- Screw coupling
- Mates with Plug with cap & Plug
- Panel thickness: 1.5-5mm



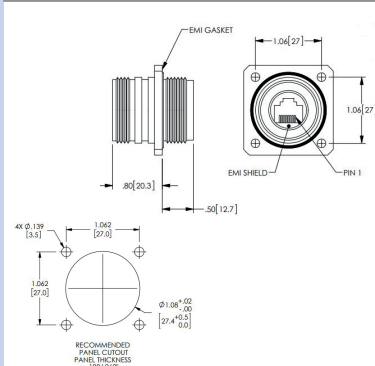
Part No.	Category	Plating	Colour	EMI Protection
PXM06265FANBKUS	Category 5e	Anodised	Black	Unshielded

Flange Mount



PXM0629

- IP68 when mated
- Female RJ45 interface
- Screw coupling
- Mates with Plug with cap & Plug



Part No.	Category	Plating	Colour	EMI Protection
PXM06295FANBKUS	Category 5e	Anodised	Black	Unshielded

Product Specification:

Electrical

Shock Resistance:	100g 6ms
Humidity:	98%
Insertion Loss:	1000 BASE-T
Hi-pot high-voltage Test:	600VAC-60Hz, 900uA
Shell-to-shell conductivity:	1A @ 1.5VDC, 100hrs
Electromagnetic Shielding Effectiveness:	20kHz, 150kHz, 14MHz, 400MHz, 600MHz, 1GHz, 2GHz, 8GHz, 10GHz, vert. and horz., <-60dB

Material:

Body:	Aluminium
Plating:	Available in Anodised, Electroless Nickel
Hardware:	Stainless Steel
Seals:	Silicone
Flammability:	Compliant to V0, V1, 10sec each
Lanyard:	Stainless Steel
RoHS	Compliant

Mechanical:

Cycles:	>500
Sealing:	IP68, 1m depth for 48hrs
Dust Test:	20mBAR air pressure, 8hrs
Termination:	Crimp terminals
Salt Spray:	500hr
Mechanical Shock:	100G (6ms)
Operating Temperature Range:	-40° C to +100° C
Panel Mount Thickness:	1.5-5mm
Panel Mount Nut Torque:	1.6-1.7Nm