

Buccaneer 900 Series Environmentally Sealed Connectors

IMPORTANT - PLEASE READ

Before using the connector, it is important that these instructions are carefully read and understood to ensure the connector system is completely water tight and electrically safe.
IF IN DOUBT CONSULT A QUALIFIED ELECTRICIAN.

The 900 Series Buccaneer is available in 2, 3, 4, 5, 7 and 10 pole versions. The 3, 4, 5 and 7 pole versions have a 'Leading Earth' pin arrangement for added protection.

The socket insert of the connector should always be the live part of the connector from the supply. The pin insert of the connector should always lead to the load or electrical device. The pin or socket inserts can be fitted to any body style to provide the correct arrangement for the application.

To ensure efficient sealing use only smooth, circular cable with appropriate gland for the cable diameter. The sealing glands supplied with the Flex and Flex In-line connectors accommodate cables sizes as follows:

Version	Cable Dia.	Cable Gland Colour
PX0	13-15mm	Yellow (standard)
PX0	11-13mm	Black
PX0	9-11mm	White
PX0	7-9mm	Dark Grey
PXA	20-22mm	Yellow (standard)
PXA	18-20mm	Black
PXA	16-18mm	White
PXA	14-16mm	Dark Grey

Assembly/Wiring instructions

- Remove the pin or socket insert from the housing of the connector. There is a slot for a flat blade screwdriver in the centre of the insert.
 NOTE: The inserts have a LEFT HAND THREAD and should be turned clockwise to remove.
- For Flex and In-Line connector bodies, remove the gland nut, gland cage and gland from the rear of the housing and slide onto the cable. NOTE for PXA version there is no gland cage. Thread the cable through the connector body. See assembly drawings, figs. 1-5 and 8 for different body styles.
- Prepare the cable and bare the wire ends as shown in fig. 6, wire stripping details.
- Insert the bared wire ends into the terminals on the back of the pin/socket insert and fully tighten the wire retention screws.
 NOTE: If the connector is to be used with 'mains' voltages, ensure the wires are connected in the correct orientation as shown in the diagram below.
 After the wires have been connected securely, pull the cable and insert back into the housing and tighten with a screwdriver to ensure the insert is seated correctly.
 NOTE: LEFT HAND THREAD, turn the insert anti-clockwise when assembling.
 When assembling the Chassis (fig 3) and Flange (fig 4 and 5) housing types, the cable should be left free behind the panel to prevent it twisting.
- For Flex and Flex In-line housings:
 PX0 version: Slide the gland, gland cage and gland nut along the cable into the body and tighten the gland nut to the appropriate torque to seal.
Please note change to PXA assembly:
 PXA version: Slide 1 washer, the gland, the final washer and gland nut along the cable into the body and tighten to the appropriate torque to seal then tighten clamp screws to secure. See fig 8.
- For the Bulkhead, Flange and Chassis body styles, correctly seat the gaskets and housing onto the mounting surface and secure with rear nut or screws/bolts with seals. Ensure all seals and glands are kept clean during assembly.

NOTE: To ensure that the correct sealing properties of the connector are achieved it is imperative that all 'O' rings are correctly located and seated before assembly. Please refer to the exploded diagrams for the locations of these seals.

'Caution not for Interrupting current'
'Attention; Ne pas utiliser pour couper le courant'


IMPORTANT SAFETY NOTICE

For your protection all mains (250V) equipment used out of doors, in damp or wet conditions should be supplied from a correctly fused source and protected by an approved R.C.D. to BS7071, BS7288, BS4293, BS EN 61008-1, BS EN 1008-2-2

IF IN DOUBT SEEK ADVICE

Mains Wire Connections

Important connect wires
 Brown to terminal L
 Blue to terminal N
 Green/Yellow to terminal E



Specification

Electrical:	2,3 Poles	4,5 Poles	7 Pole	10 Pole
Current Rating: CSA	32A	32A	32A	10A
Current Rating:	30A	25A	30A	10A
Voltage Rating:	600V ac/dc	600V ac/dc	415V ac/dc	250V ac/dc
Contact Resistance:	<10m Ohm (initial)			
Insulation Resistance:	>10M Ohm (@500V dc)			
Dielectric strength:	2.2Kv ac min			
Approvals:	UL/VDE/CSA/CCC		UL/VDE/CCC CSA Pending	CCC UL/VDE/CSA Pending

Material:

Body Mouldings:	Polyamide
Flammability Rating:	UL94V-0
Contacts:	Machined Solid Brass, Nickel plated
O Rings:	Nitrile
Panel Sealing Gasket:	Silicone Rubber

Mechanical:

Sealing:	IP69K, EN60529
Contact Accommodation:	2.5 to 4mm ² (13-10AWG) conductor, single or multi stranded
Cable Retention force:	22mm dia, 150N 15mm dia, 150N 7mm dia, 80N

Cable Acceptance and Gland Tightening Torques:

	Cable dia	Gland Colour	Tightening Torque
PX0 version	13-15mm	Yellow (standard)	3.16Nm (28 lb/in)
	11-13mm	Black	3.16Nm (28 lb/in)
	9-11mm	White	3.16Nm (28 lb/in)
	7-9mm	Dark Grey	3.16Nm (28 lb/in)
PXA version	20-22mm	Yellow (standard)	3.16Nm (28 lb/in)
	18-20mm	Black	3.16Nm (28 lb/in)
	16-18mm	White	3.16Nm (28 lb/in)
	14-16mm	Dark Grey	3.16Nm (28 lb/in)
Panel mount nut	-	-	2.25Nm
Flange & Bulkhead fixing screws	-	-	0.9Nm

900 Series Buccaneer

IP68 and IP69K Waterproof Connectors

Wiring Assembly Instructions



www.bulgin.co.uk

Buccaneer 900 Series Environmentally Sealed Connectors

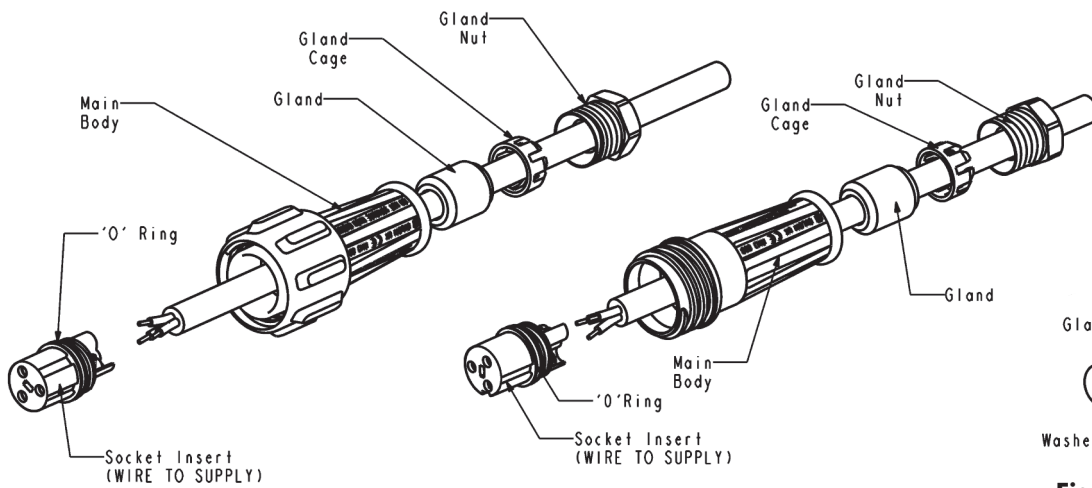


Fig 1. Flex Mounting (PX0911, PXA911)

Fig 2. Flex Mounting In-line (PX0921, PXA921)

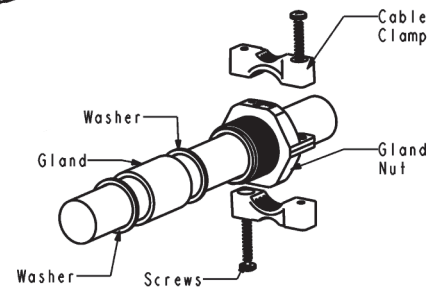


Fig 8. Cable retention and sealing assembly for large cable entry (PXA911, PXA921)

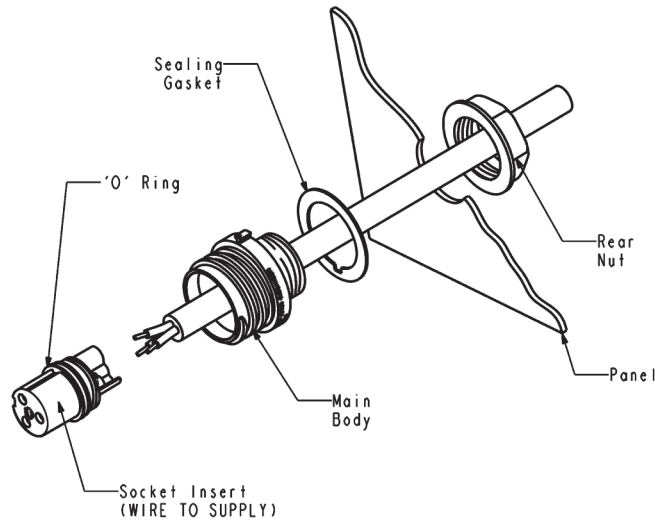


Fig 3. Chassis/Panel Mounting (PX0931)

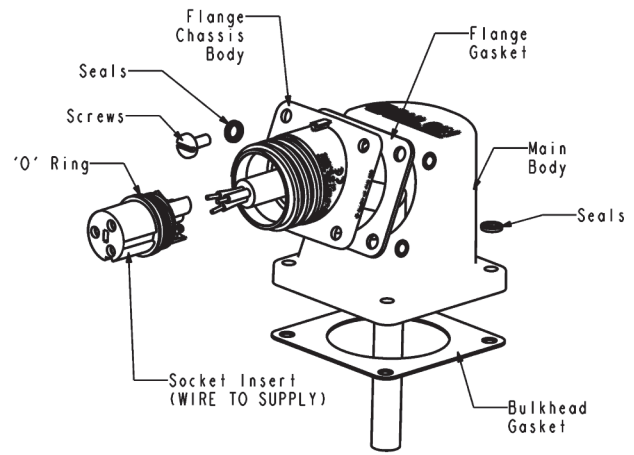


Fig 4. Flange/Bulkhead Mounting (PX0941 + PX0950)

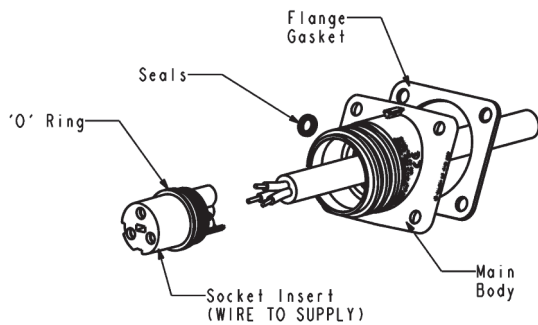


Fig 5. Flange Mounting (PX0941)

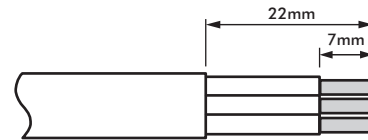
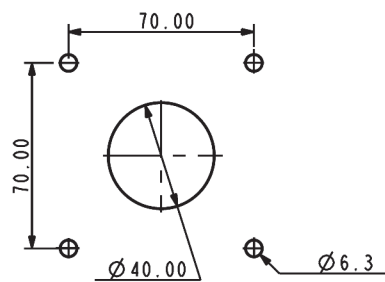
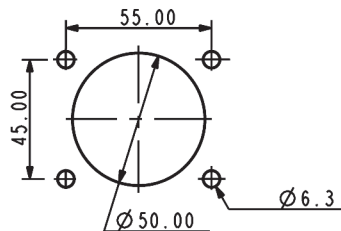


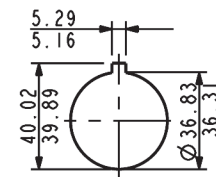
Fig 6. Wire Stripping Details



BULKHEAD/FLANGE MOUNTING PX0950



FLANGE MOUNTING PX0941



PANEL MOUNTING PX0931

Fig 7. Panel cut out details